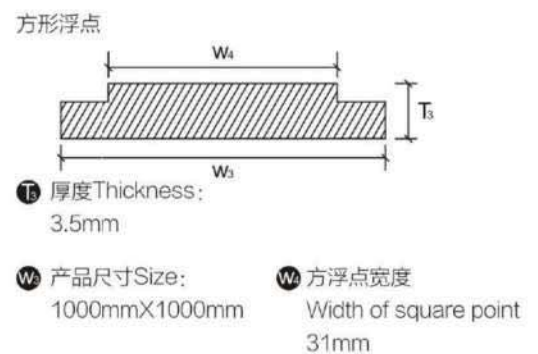
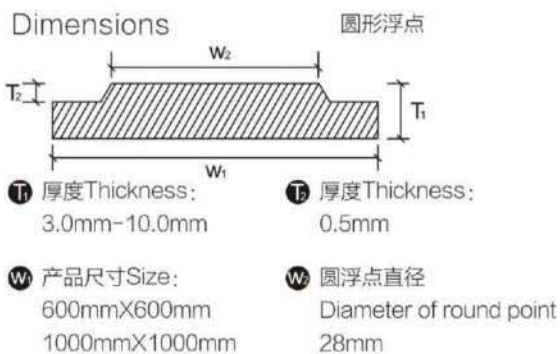


## > 山海 - 浮点 SHANHAI

经典的单色圆形浮点  
适用于极高负荷环境的橡胶地板  
Round or square surface in solid color  
Rubber floor Tile for heavy traffic areas

### ▶ 尺寸 / 规格

Dimensions



### ▶ 包装形式与重量 Packing And Weight

- 包装材质: 瓦楞纸盒 Packing material: Carton Box
- 单位重量: 5.0kg/平米(3.5mm) Unit weight: 5.0kg/sqm(3.5mm)

### ▶ 产品特性 Characteristic

- 超强耐磨: 极长的使用寿命。  
Excellent Wear resistance: Ultra long life.
- 符合环保健康要求: 精选原材料, 低VOC挥发, 保证健康室内空气质量。  
Environmental friendly and healthy: Low VOC for better indoor air quality.
- 抗香烟灼烧。  
Resistance to Cigarette.
- 卓越的防火性能: B1级防火。  
Excellent Fire behavior: Class B1.
- 良好弹性: 残余凹陷小, 脚感舒适。  
Good elasticity: Less residual indentation, comfortable foot feeling.
- 减震静音: 减少行走噪音, 降低摔伤风险。  
Shock absorption and less noise: Reduce the step noise and risk of hurting by falling over.
- 防滑: 防滑等级R9。  
Anti-slip: R9 slip resistance.
- 可承载叉车负荷, 轮椅适用。  
Wheelchair and forklift truck suitable.
- 表面特殊涂层, 提升耐刮耐污能力。  
Finished with special coating, to enhance the anti-scratch and stain resistance performance.

\* 可选静电耗散型 \*Optional with anti static.



SH-001



SH-002



SH-003



SH-004



SH-005



SH-006



SH-007



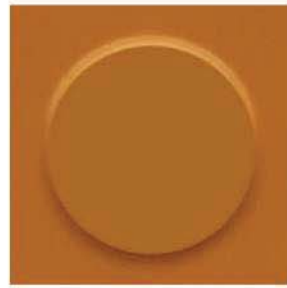
SH-008



SH-009



SH-010



SH-011



SH-012



SH-013



SH-014



SH-015



SH-016

印刷色与实物样片色彩略有偏差，最终以实物样片为准。